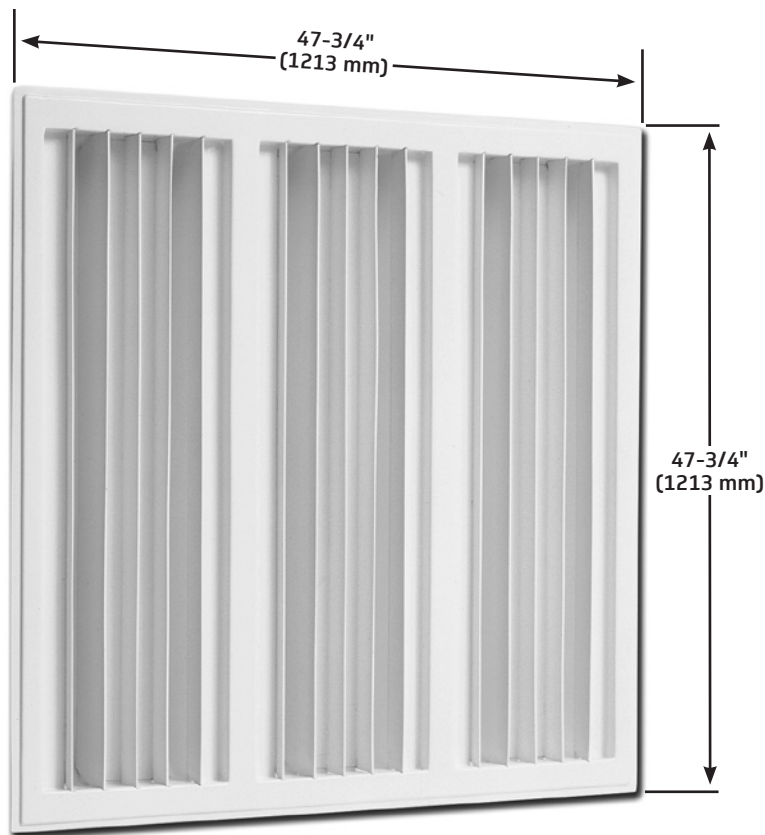


Traditional Acoustic Panel Series: Quadratic Ceiling Diffuser Panels

- Designed to work very effectively over a frequency range of 750 to 3300 Hz
- Diffuser designed based on the quadratic theory using a series of four different well depths with seven wells per sequence and three sequences per panel
- 4' x 4' (1219 x 1219 mm)
- Weight: 35 lb (16 kg)
- Detailed polar plots of TEF measurements available on request
- Wells are 2.1" (53 mm) wide with a maximum depth of 5.2" (132 mm). Panel depth is 6" (152 mm)
- Constructed of thermo molded plastic; 0.125" (3mm) material thickness
- Final assembly meets 2018 IBC requirements for Class A interior finishes
- Surface is paintable using latex acrylic paint only
- Lay-In ceiling panels attach securely to a suspended ceiling grid (safety cables provided)
- For a suspended ceiling grid, please specify if using standard or designer grid system
- Clip-In ceiling panels may be direct mounted to permanent ceiling, or suspended from ceiling by wire from four corner hooks
- Recyclable
- Five-year warranty

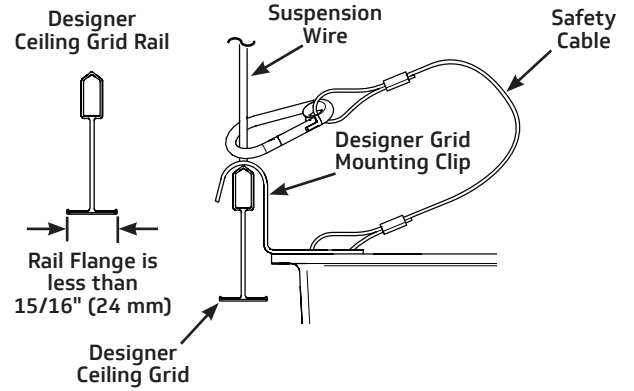
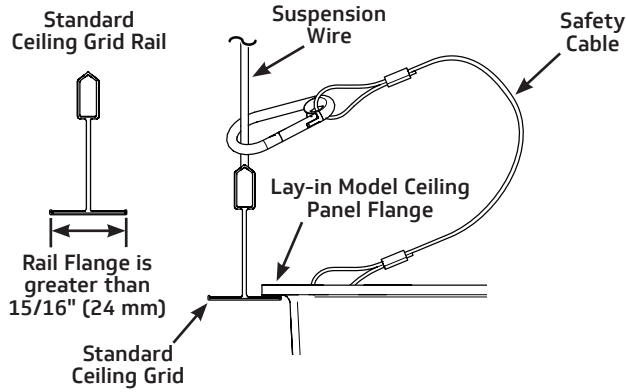
Installation

- Tee-grid system must meet or exceed intermediate duty A.S.T.M. specifications
- A minimum of 12" (305 mm) is needed between tee-grid system and any obstructions above tee-grid system



Installation

- Tee-grid system must meet or exceed intermediate duty A.S.T.M. specifications
- A minimum of 12" (305 mm) is needed between tee-grid system and any obstructions above tee-grid system



Acoustical Performance

- Upper Design Frequency (f max.) 3300 Hz
- Lower Design Frequency (f min.) 750 Hz
- Number of wells (N) 7
- Largest Sequence (S max.) 4
- Maximum well depth (d max.) 5.2" (132 mm)
- Well width 2.1" (53 mm)
- Number of sequences per panel 3

Absorption Coefficients Octave Bands						
Frequency (Hz)	125	250	500	1000	2000	4000
Absorption Coefficient	0.36	0.54	0.59	0.43	0.24	0.19
E-400 Mounting						



© 2024 Wenger Corporation
USA/2024-03

Minnesota Location Wenger Phone 800.4WENGER (493-6437) Wenger Worldwide +1.507.455.4100 | Parts & Service 800.887.7145 | wengercorp.com

GearBoss Phone 800.493.6437 | gearboss.com
555 Park Drive, PO Box 448 | Owatonna | MN 55060

New York Location

J.R. Clancy Phone 800.836.1885 JR Clancy Worldwide +1.315.451.3440 | jrclancy.com | 7041 Interstate Island Road | Syracuse | NY 13209